

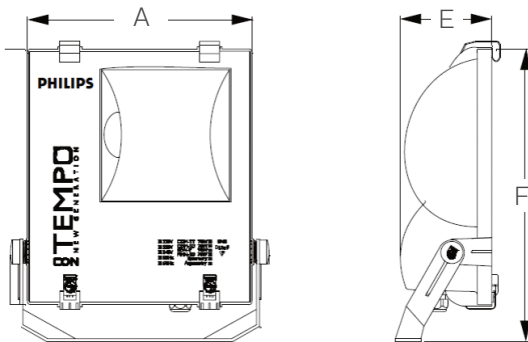
# ConTempo HID

The ConTempo floodlight has a registered design that blends well with contemporary outdoor environments. It has a rugged pressure die-casted aluminium housing with corrosion resistant powder coating. ConTempo also features an integrated energy saving copper ballast, electronic semi-parallel ignitor and capacitor.



## Features and Benefits

- Rugged pressure die-casted aluminium housing with corrosion resistant powder coating.
- Integrated energy saving copper ballast, electronic semi-parallel ignitor and capacitor.
- Custom-designed peened anodised reflector for efficient symmetric and asymmetric optics.
- Hinged toughened glass cover for easy operation.
- Rigorously tested for dust and water ingress protection.
- Ergonomic installation and maintenance mechanisms.



Product ID	A (mm)	E (mm)	F (mm)
RVP250	363	117	424
RVP350	460	137	476

Dimensions in mm (Nominal)

CONTEMPO HID			
Family Name	ConTempo HID	Control Gear	Conventional
Model	RVP250/350	Installation	Stirrup Bracket
Lamp Type	MHN-TD, HPI-T, SON-T Included	IP rating	IP65
Wattages	70W, 150W, 250W, 400W	Weight	RVP250 (4.7kg) , RVP350 (9.4kg)
Lamp Colour	MHN-TD (4200K), HPI-T (4500K), SON-T (2000K)	Colour of housing	Grey
Colour Rendering Index (CRI)	MHN-TD (80) , HPI-T (65) , SON-T (25)	Application	Area Lighting / BillBoard / Façade / Industrial Areas / Other General
Optics	Symmetrical		